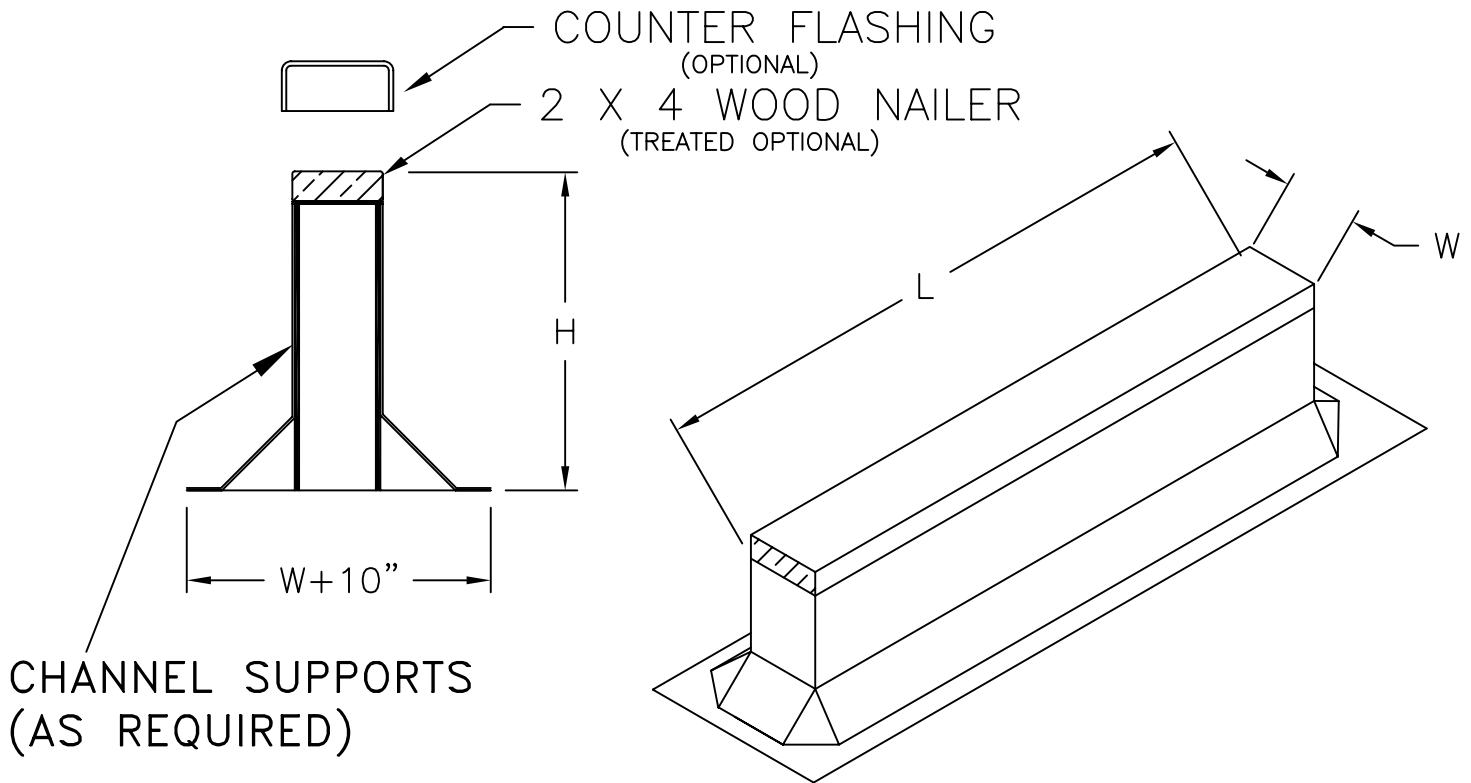




Curbs and Damper Products, Inc.

16525 EASTLAND, ROSEVILLE, MI 48066
 (586)776-7890 FAX (586)776-9710

EQUIPMENT BASE WITH CANT



16 GA GALV. CONSTRUCTION
 WITH WOOD NAILER AND COUNTER FLASHING

ITEM	QTY	L	W	H	TAGGING
JOB			ARCHITECT		
CUSTOMER			ENGINEER		