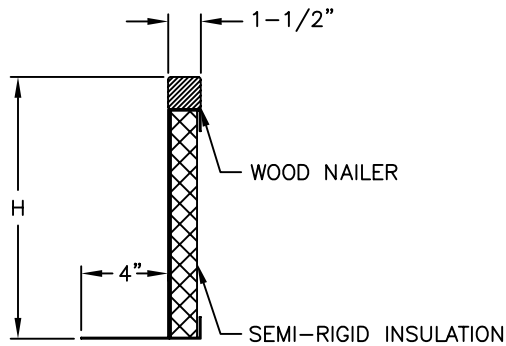


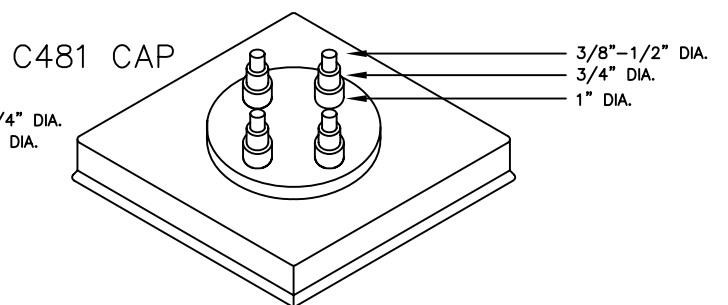
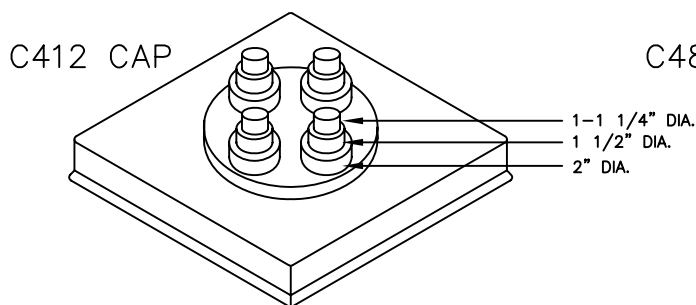
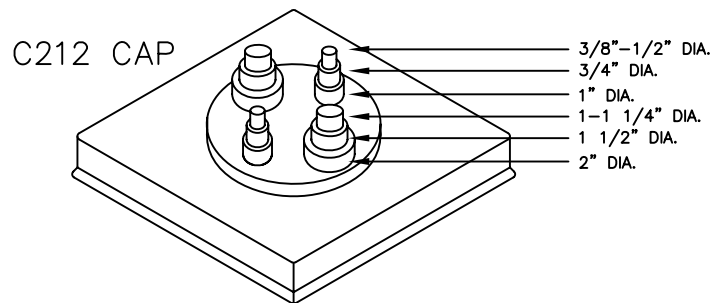
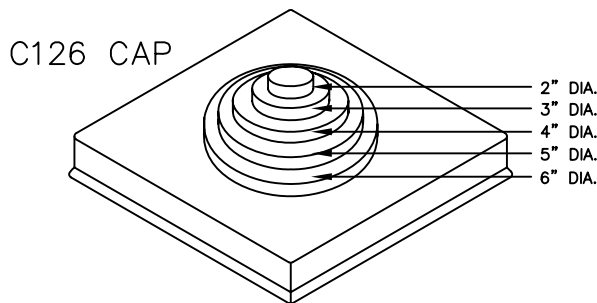
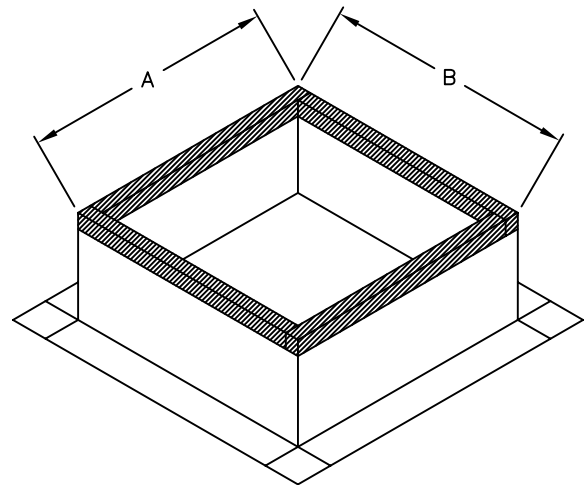
# Curb and Damper Products, Inc.

16525 EASTLAND, ROSEVILLE, MI 48066  
(586)776-7890 FAX (586)776-9710

## PORTAL PLUS W/ ROOF CURB



**MATERIAL: 18 GA. GALVANIZED**



ITEM	QTY	PORTAL #	OD		H	TAGGING
			A	B		
			12"	12"		
			12"	12"		
			12"	12"		
			12"	12"		
JOB					DATE	
CUSTOMER					ENGINEER	

NOTE: 1 PIPE PENETRATION PER PORTAL OPENING