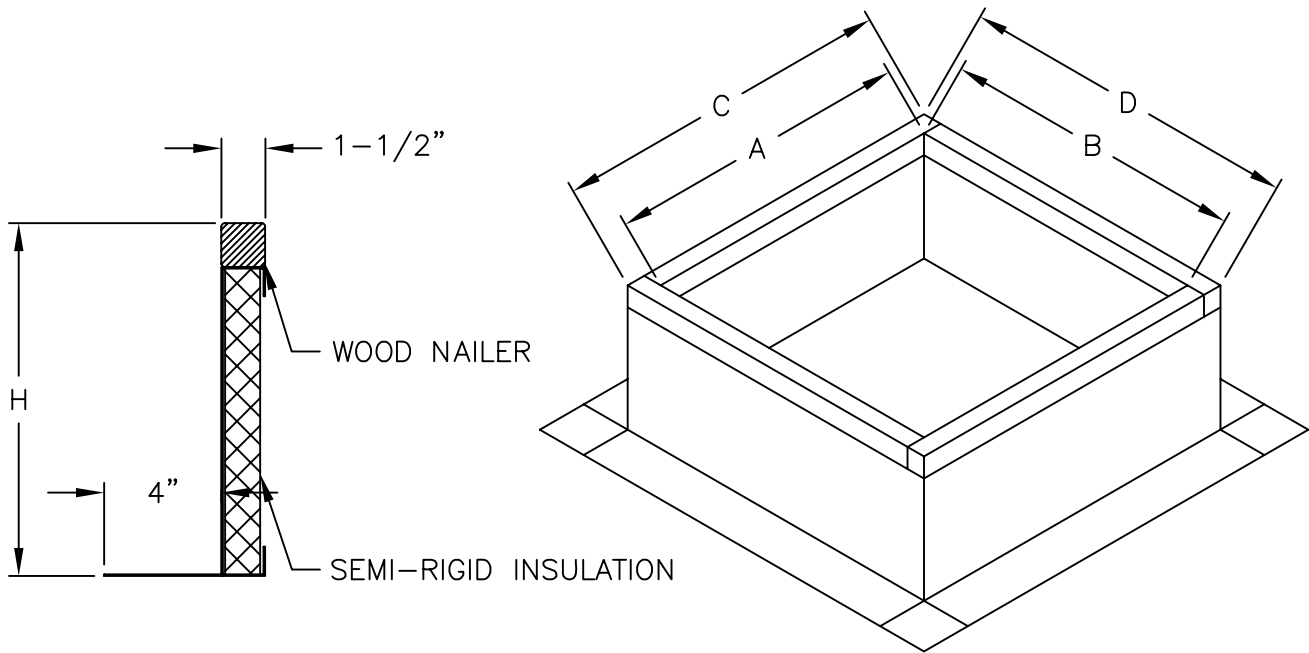


CURBS and Damper Products, Inc.

16525 EASTLAND, ROSEVILLE, MI 48066
(586)776-7890 FAX (586)776-9710



MATERIAL:

DATE:

ITEM	QTY	ID		OD		H	TAGGING
		A	B	C	D		
JOB					ARCHITECT		
CUSTOMER					ENGINEER		