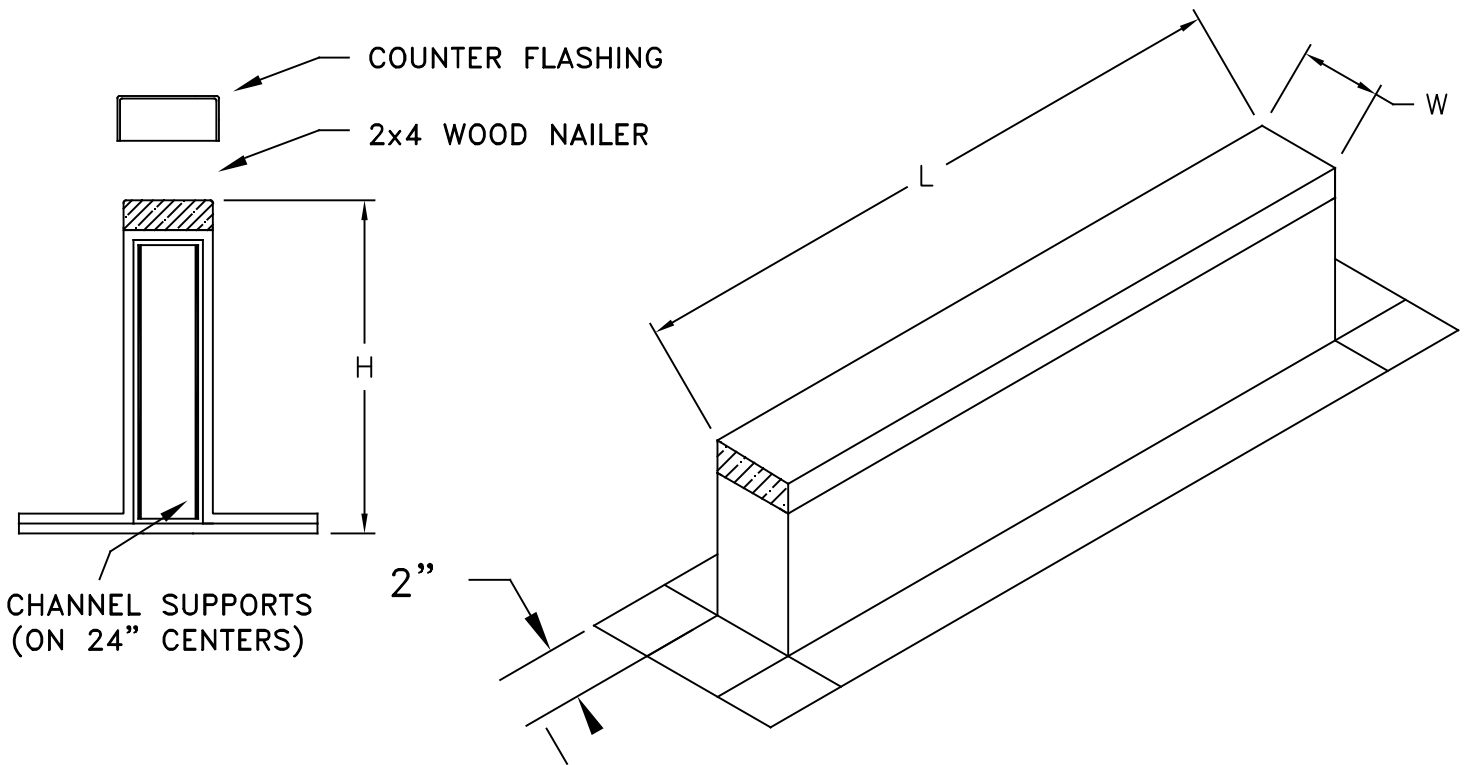




CURBS & DAMPER
PRODUCTS INC

STANDARD EQUIPMENT RAIL – ER1



18 GA GALV. CONSTRUCTION
WITH WOOD NAILER AND COUNTER FLASHING

ITEM	QTY	L	W	H	TAGGING
		24"	4"	18"	
		36"	4"	18"	
		48"	4"	18"	
		60"	4"	18"	
CUSTOMER-		PO#/JOB-			