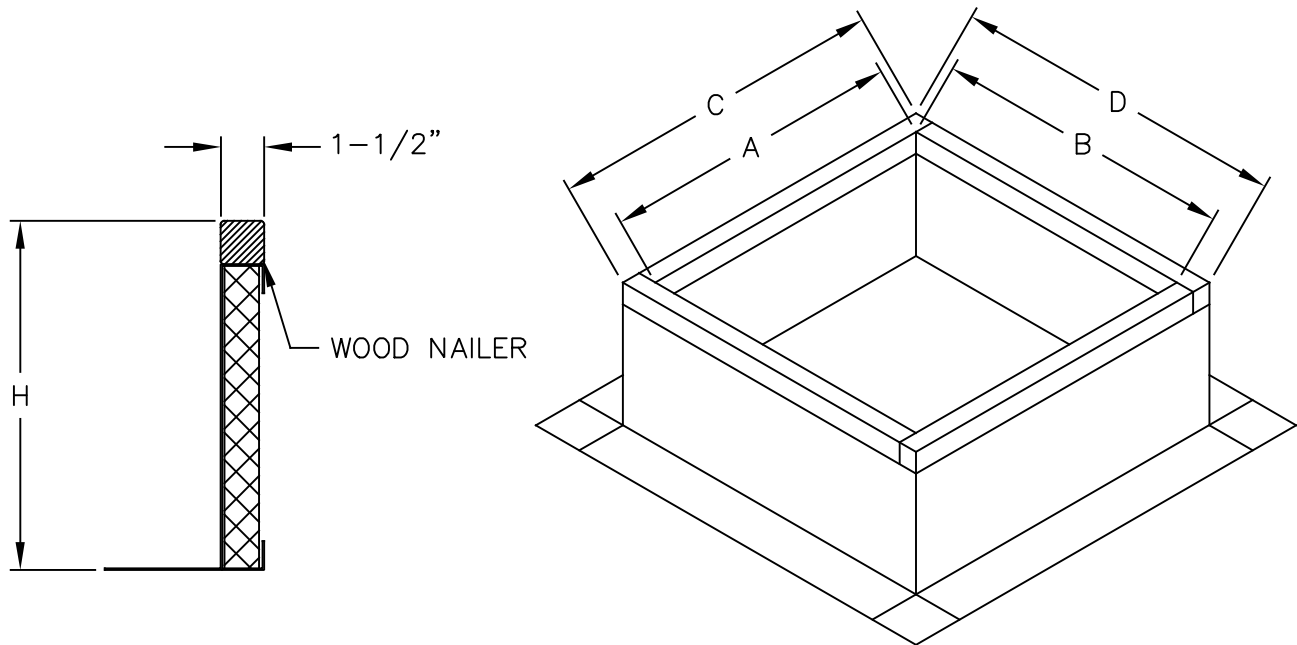




CURBS & DAMPER
PRODUCTS INC

FLAT ROOF CURB – RC1



MATERIAL: 18 GA GALVANIZED, WELDED CONSTRUCTION
1" THICK, 1-1/2 LB DENSITY, SEMI-RIGID INSULATION

DATE: 6-22-19

ITEM	QTY	ID		OD		H	TAGGING
		A	B	C	D		
		12.5"	12.5"	15.5"	15.5"	18"	
		14.5"	14.5"	17.5"	17.5"	18"	
		17.5"	17.5"	20.5"	20.5"	18"	
		21.5"	21.5"	24.5"	24.5"	18"	
		25.5"	25.5"	28.5"	28.5"	18"	
		29.5"	29.5"	32.5"	32.5"	18"	
		35.5"	35.5"	38.5"	38.5"	18"	

CUSTOMER—

PO#/JOB—