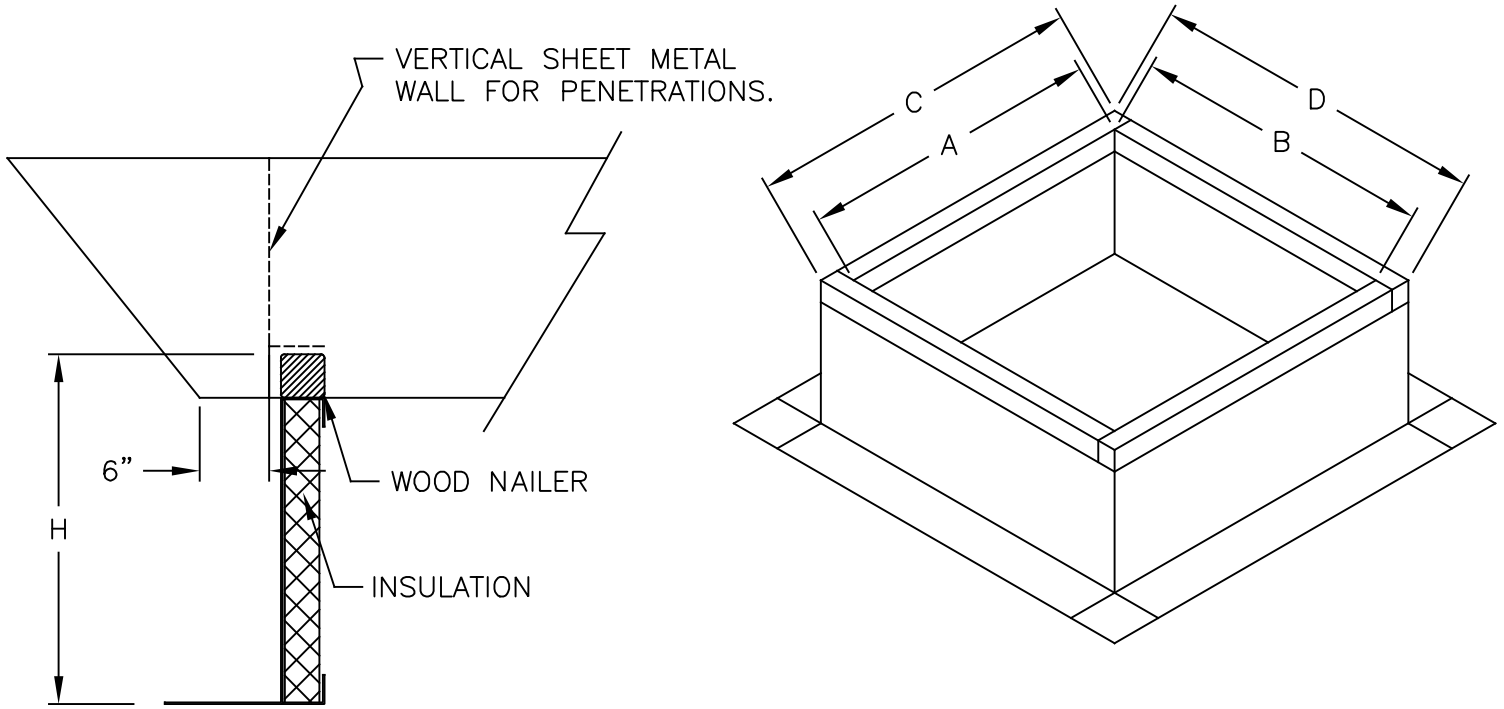




CURBS & DAMPER
PRODUCTS INC

ROOF CURB w/ PIPE HOOD ASSEMBLY – PH1



MATERIAL: 18 GA GALVANIZED, WELDED CONSTRUCTION
1" THICK, 1-1/2 LB DENSITY, SEMI-RIGID INSULATION
NOTES: SOLID BOX PIPE CAP W/ 45 DEGREE RAIN COVER INCLUDED.
FIELD PENETRATIONS MUST BE SEALED PER JOB SPECS (SEALANT NOT INCLUDED)

ITEM	QTY	ID		OD		H	TAGGING
		A	B	C	D		
		9"	9"	12"	12"	12"	
		9"	9"	12"	12"	14"	
		9"	9"	12"	12"	16"	
		9"	9"	12"	12"	18"	
PO#/JOB NAME--					ARCHITECT		
CUSTOMER--					ENGINEER		

DATE: 9-18-19