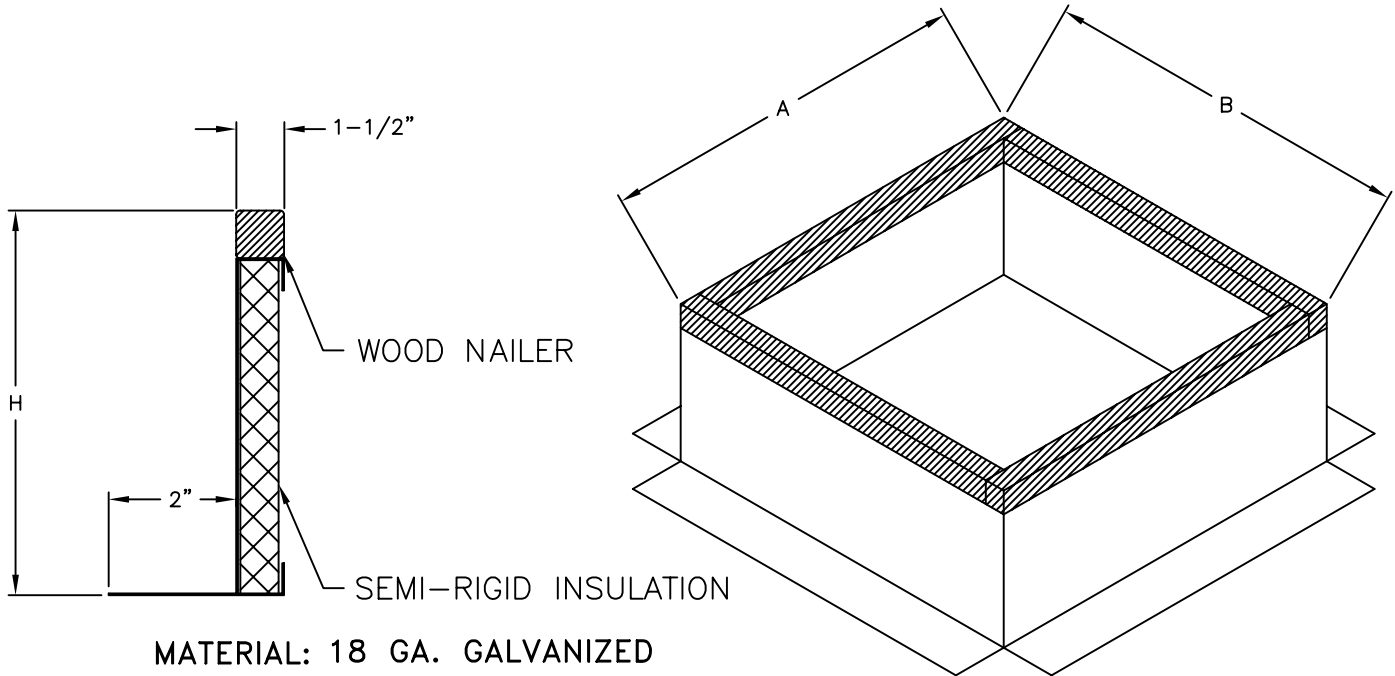


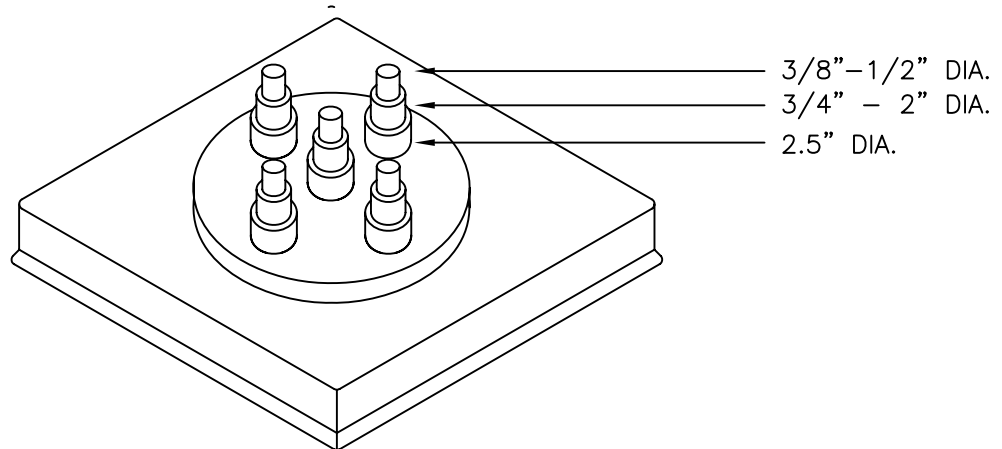


CURBS & DAMPER
PRODUCTS INC

PORTAL PLUS W/ ROOF CURB



MATERIAL: 18 GA. GALVANIZED



ITEM	QTY	PORTAL #	OD		H	TAGGING
			A	B		
			12"	12"	12"	
JOB					DATE	
CUSTOMER					ENGINEER	

NOTE: 1 PIPE PENETRATION PER PORTAL OPENING